

Export Guide

Helpful details covering the main topics involved in exporting products manufactured by Topdental

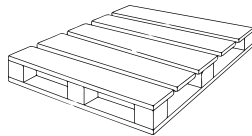


Pallets

All our products are supplied to wholesalers on standard UK or Euro pallets. This ensures compliance with local, national and international transport services and 99.9% of all storage locations and warehousing.

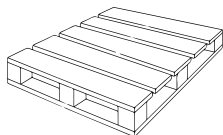
UK Pallet

1200mm x 1000mm



Euro Pallet

1200mm x 800mm



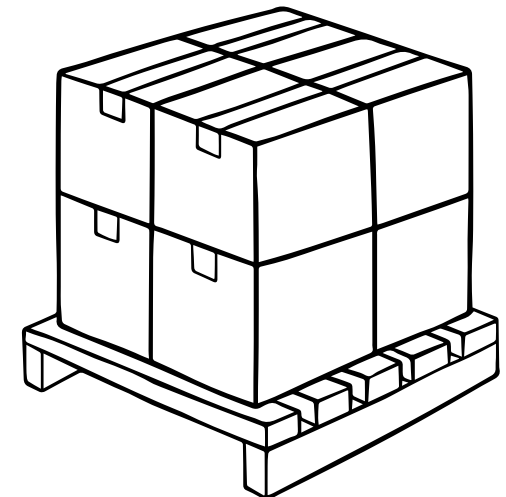
Boxes of product are stacked on pallets securely and neatly in the most efficient way possible.

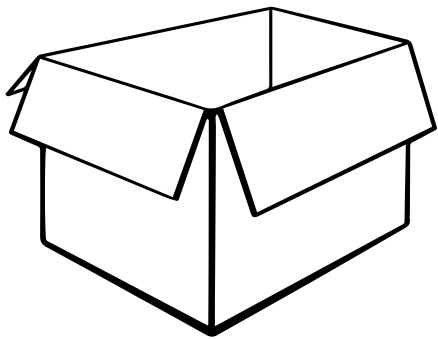
Boxes are wrapped to the pallet using a strong and durable transparent film. This can help reduce the need for customs officials to inspect.

No pallet is stacked more than 1.5m high to ensure compliance with standard warehouse racking levels.

Need a custom height? talk to our team about your requirements during the ordering process

1.5m ↑
Max height





Shipping Boxes

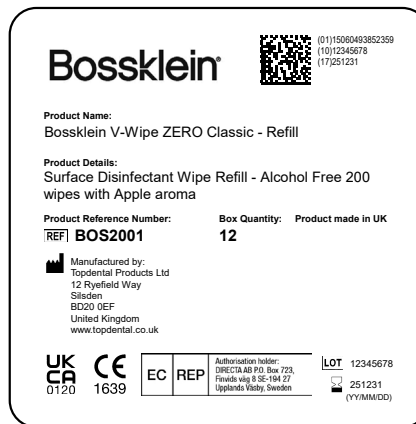
Protecting products during shipping is vital. All our shipping boxes are constructed from the same strong, double walled, fluted 200gsm kraft board.

Boxes are unbranded and unbleached, with this way up arrows printed on two sides.

Topdental uses a range of different size boxes to securely fit all products. You can be confident finished goods arrive undamaged and in great condition.

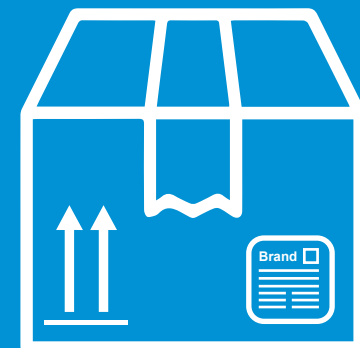
Box labels

All boxes include a content label measuring 90x90mm. This includes the unique device identifier (UDI) barcode of the product alongside all relevant CE marking, batch information and official symbols as per European Union Medical Device Regulation (EU MDR).



Additional regulatory / dangerous goods (where applicable) and content labels are affixed during production.

This ensures total compliance and safety in regards to both storage and shipping.





Name	1 litre twin	2.5 litre	5 litre refill	500ml spray	1 litre spray	500ml aerosol	700g powder
Products	IDactiv, ULTRAbio, DAILYasp	IDactiv, ULTRAbio, DAILYasp, SDactiv ZERO	IDactiv, ULTRAbio, DAILYasp, SDactiv ZERO, B70gel	SDactiv, SDactiv ZERO	SDactiv, SDactiv ZERO	UNioil	IDactiv QUANTUM, IMPactiv P
No per box	6	4	2	10	10	12	6
No per pallet	510	176	170	850	550	1080	528
Box per pallet	85	44	85	85	55	90	88
Box size (mm)	290x200x260	330x210x300	290x200x260	290x200x260	342x254x285	280x215x265	320x250x185
No per 20ft	5100	1760	1700	8500	5500	10800	5280
No per 40ft	10200	3520	3400	17000	11000	21600	10560

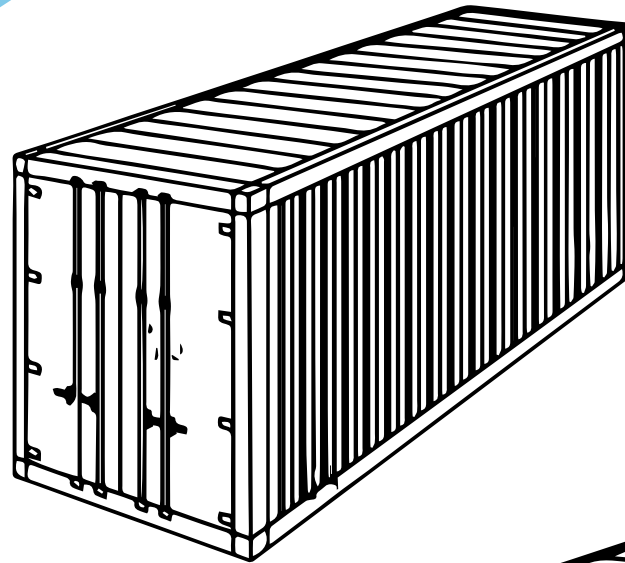
Quantities

All our infection control products have their own standardised box and pallet quantities. This helps to ensure consistency, reduce damages and improve planning on both sides.

To help you during the ordering process we have included them as a useful reference inside this guide.



Name	Flowpack 200	Flowpack 100	Wipe tub 200	Wipe refill 200	Wipe tub 160	Wipe refill 160	500ml gel	50ml tottle
Products	V-WIPE ZERO UNIVERSAL-XL	V-WIPE ZERO ECO-XL	V-WIPE Classic, V-WIPE ZERO Classic	V-WIPE Classic, V-WIPE ZERO Classic	V-WIPE Ultra, V-WIPE ZERO Ultra	V-WIPE Ultra, V-WIPE ZERO Ultra	B70gel	B70gel
No per box	6	9	12	12	6	12	10	50
No per pallet	300	450	360	600	300	600	880	4250
Box per pallet	50	50	30	50	50	50	88	85
Box size (mm)	455x260x220	425x225x255	450x335x250	390x278x229	390x278x229	390x278x229	330x250x185	290x200x260
No per 20ft	3000	4500	3600	6000	3000	6000	8800	42500
No per 40ft	6000	9000	7200	12000	6000	12000	17600	85000



20ft

Fits 10 standard UK pallets

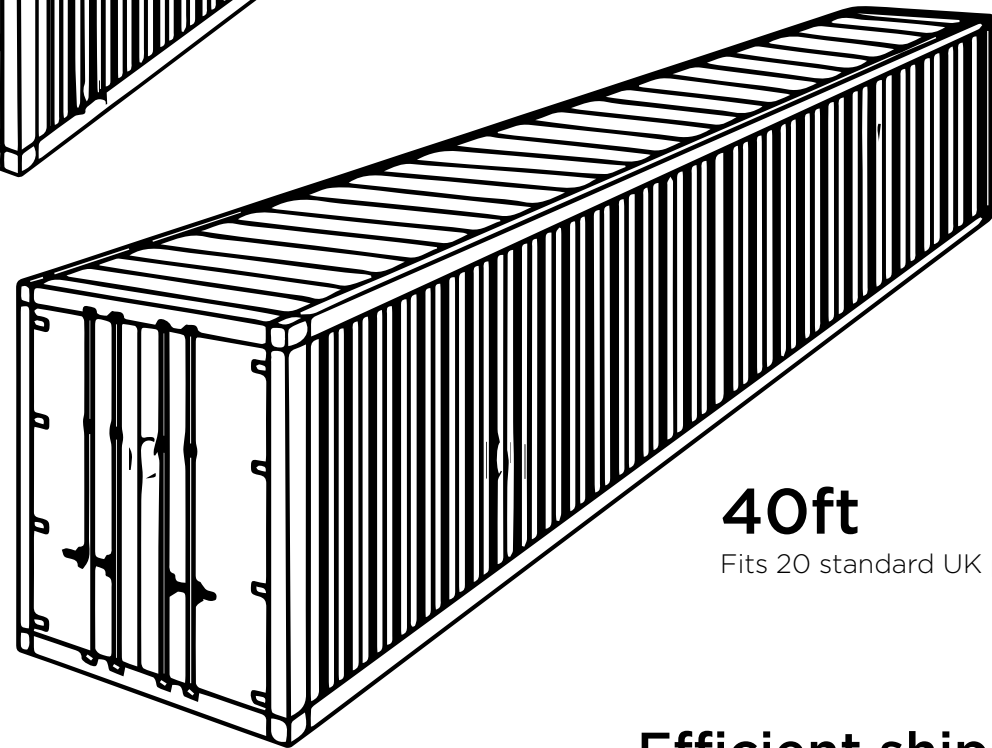
Shipping Containers

The most economical method of transporting goods across extremely large distances is to use sea freight. In order to ship goods by sea they must be placed inside a standardised shipping container.

Containers are supplied in two sizes, 20ft or 40ft.

It is always important to maximise the space used inside containers in order to keep shipping costs to a minimum.

Also, by being more efficient we can help to reduce the amount of freight we send, the amount of journeys required and therefore our carbon footprint.



40ft

Fits 20 standard UK pallets

Efficient shipping

- = Less freight
- = Reduced costs
- = Lower carbon

Delivery options

Topdental offer three basic delivery options to all our wholesale partners; Road, Sea or Air.

Our in house export team are here to help plan, arrange and book transport for your order. We have years of experience shipping infection control goods around the world.

Topdental maintains long standing relationships with many of the major transport companies both nationally here in the UK and internationally around the globe. This helps us achieve the best rates available while maintaining top levels of service.



By road

Shipping goods by road is often the most cost effective option.

The default choice for all goods being transported within the UK and throughout mainland Europe is shipping by road.

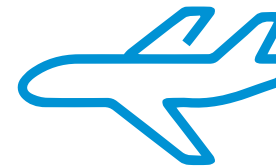
Turn around is usually achieved within hours or days (depending on the load size and exact location)



By sea

Transporting goods by sea is the preferred method for goods being sent to the Middle-East, Trans-Pacific or Trans-Atlantic.

Although delivery times can be relatively extensive (a number of weeks) shipping by sea is a reliable, safe and cost effective method of delivering goods across extremely long distances.



By air

The quickest method of transporting products internationally.

Usually reserved for emergency, last minute deliveries that cannot wait.

Suitable for almost all international locations but the least cost effective.



The complexity surrounding the shipping of goods can be confusing.

Custom regulations, import taxes and duties vary depending on the products, location and transport method chosen.

The Topdental export team are here to help you understand and offer assistance in finding the right method for your business.

Ex Works (EXW)

Freight is arranged by the customer and remains their total responsibility.

The customer is responsible for all costs involved with the delivery and related risks including customs regulations and transfers etc.

Delivered duty paid (DDP)

Topdental assume responsibility for arranging freight and assumes most of the risks and costs associated until the customer receives their goods at a pre agreed location with their country.

This includes Topdental covering all import/export duties, insurance and any other shipping related expenses.

Delivered at place (DAP)

With this arrangement Topdental covers costs relating to moving the goods to a pre agreed location.

The customer takes responsibility for paying any applicable taxes including import duties, customs clearance and local taxes once the goods arrive at the destination.

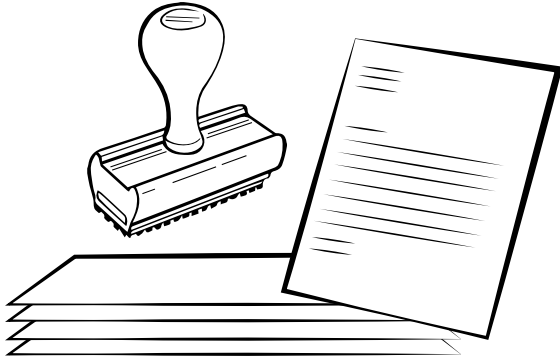
Cost and freight (CFR)

Topdental will arrange for the goods to be delivered by sea to a port of destination agreed by the customer. Topdental will also provide all the necessary documents for the customer to obtain the goods.

With this method the customer is not responsible for insurance while the goods are at sea.

Air freight

Topdental arrange all details and assume all associated costs.



Documentation

Preparing the correct export documentation can help avoid delays or even potential rejections. Correct planning keeps import costs to their absolute minimum.

Topdental can provide assistance when it comes to creating and transferring the correct declarations and certifications for your goods.

Our highly experienced team have great knowledge and understanding of transporting infection control products to almost any location around the world.

EUR1 certificate

Known as “movement certificate” this enables customers to import goods at reduced or zero rates of import duty under trade agreements between the UK and specific partner companies.

UK certificate of origin

Officially certifies the goods originate from the United Kingdom.

This document is required by customs in the customers country in order to calculate the correct tariff rates.

Arab certificate of origin

Certifies the origin of the goods being shipped. Required for goods entering most middle eastern countries including;

Algeria, Bahrain, Djibouti, Iraq, Jordan, Kuwait, Lebanon, Libya, Morocco, Oman, Qatar, Saudi Arabia, Somalia, Sudan, Syria, Tunisia, United Arab, Emirates and Yemen.

Bill of lading

A legal document or contract between Topdental, the shipper and the customer stating exactly what is being shipped and where from/to.

This document must accompany products no matter which form of transportation is being used and must be signed by all parties.

CargoX

A secure document transfer service. Allowing instant movement of important documentation, including bills of lading, between companies.

Fully encrypted and traceable allowing each document to have its own audit trail.